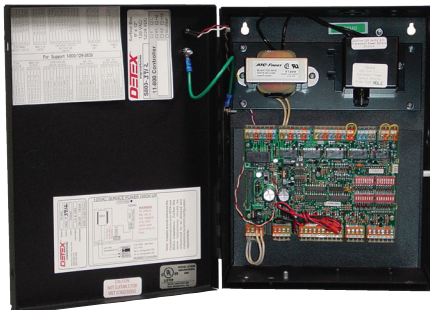


# Series 800

10-800 / 11-800

## Controller

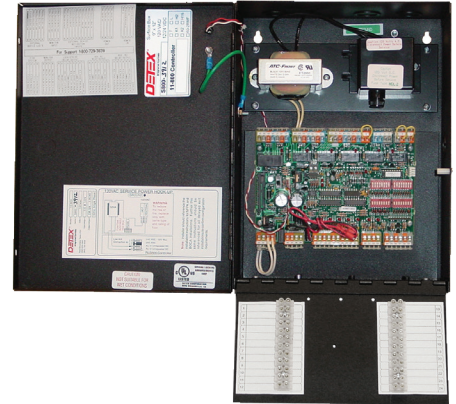
The Detex 10-800 and 11-800 are universal logic and power supply controllers that allow for total control over all electrified hardware. The controller receives input from a switch, access control or any dry contact device and processes it into the desired output. One controller can manage applications for up to two doors, such as standard egress, delayed egress and interlocks. All connections for local or remote signaling are contained in one box. The 10-800 and 11-800 logic controllers provide at least 2A of DC power at the door. A battery backup/charging circuit is standard with each controller to deliver an uninterrupted source of power for up to 4 hours (battery sold separately).



10-800  
Shown open



10-800  
or  
11-800  
Shown closed



11-800  
Shown open

**NOTE:** 10-800 and 11-800 available in Black  
11-800 same as 10-800 but with added 24 point terminal strip and flip-down tray

## Benefits

- Central terminal connections provide easy wiring
- Inline fuse protects against power surges
- Designed specifically to support electric locks, access control systems and delayed egress systems
- Multiple fire alarm relay input options assure compliance to various life safety codes
- On/Off switch allows for easy service and inspection

## Features

- Power supply and controller all in one box
- Controls up to 2 separate doors for standard egress or 2-door interlock applications
- 1 controller required for each independent delayed egress application
- Output relays for locks, local alarm and remote alarms
- Relays may be configured to wet or dry connections
- Status LED's toggle on or off for easy troubleshooting
- Connections are labeled with either numbering scheme or label with text to identify circuits
- Single AC line voltage required to activate
- Dual voltage selection (12/24VDC)
- 9VDC, 100mA output terminal tap
- Fuse protection
- Battery backup circuit - standard

- Other Models include:
  - 30-800\* - Surface box - Zinc plated, lid and Series 800 controller
  - 31-800\* - Flat mount plate and Series 800 controller
  - 40-800\* - Same as 11-800 without transformer
  - 41-800\* - Same as 10-800 without transformer
  - 50-800\* - Series 800 controller only, no box

\* Requires low voltage source

## Mechanical Options

- 24 point terminal strip and flip down tray included with the 11-800
- Cover lock key
- Battery box extension

Where Trust is Built™  
**DETEX**®  
Life Safety, Security and Security Assurance

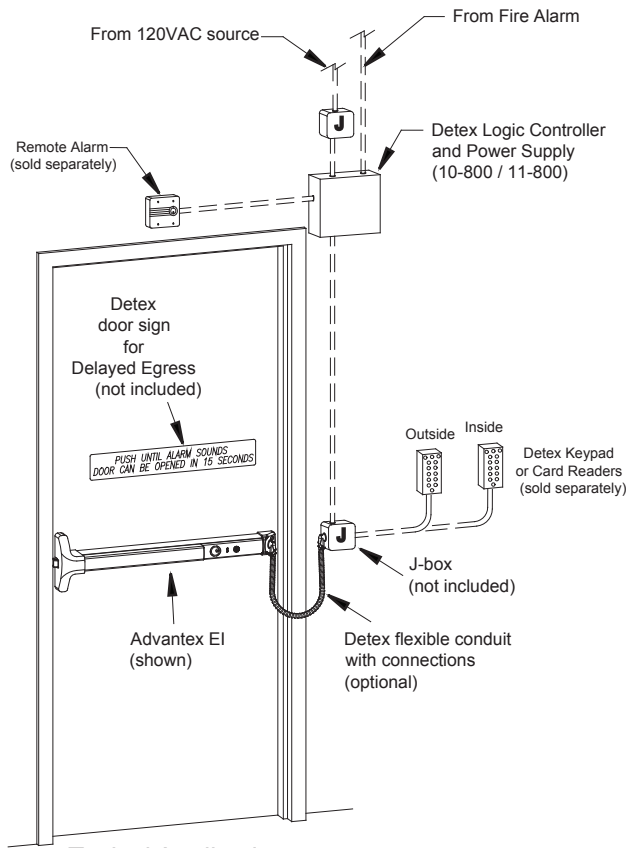
## Electrical Options

- Access Control compatible
- Battery backup, 12VDC or 24VDC, 4AH
- M12 module provides 12VDC @ 400mA for access control components
- Tamper Switch
- Pre-wired terminal strip with labels for easy identification (11-800)

## Technical Information

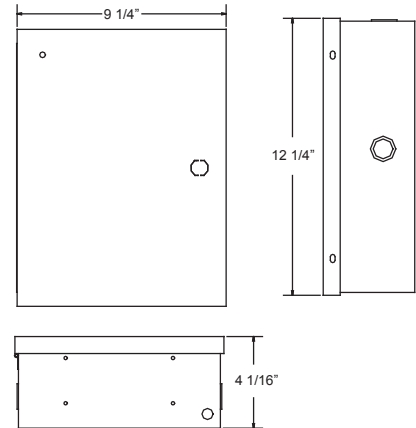
- 110VAC input
- Remote Relay 2A
- Bolt Position /Door Position Switches Relay 2A
- 12 or 24 VDC output, 2A
- Controls 2 doors within 100 feet using 18ga stranded wires
- Local Alarm Relay 5A
- Lock Relay 2A

## Riser Diagram



Typical Application -  
Delayed Egress with Access Control

## Dimensions (10-800/11-800)



## Listings and Approvals



UL Listed Power Supply and  
Special Locking Arrangement  
(Delayed Egress)

## Detex Limited Warranty

3 Year Limited Manufacturer's  
Warranty

Where Trust is Built™

**DETEx**®  
Life Safety, Security and Security Assurance

Detex Corporation  
302 Detex Drive  
New Braunfels, Texas 78130-3045 USA  
PH. (830) 629-2900  
(800) 729-3839  
FAX (800) 653-3839  
<http://www.detex.com>  
USA Sales:  
[marketing@detex.com](mailto:marketing@detex.com)  
International Sales:  
[export@detex.com](mailto:export@detex.com)

⚠ Cancer & Reproductive Harm - [www.detex.com/prop65](http://www.detex.com/prop65)